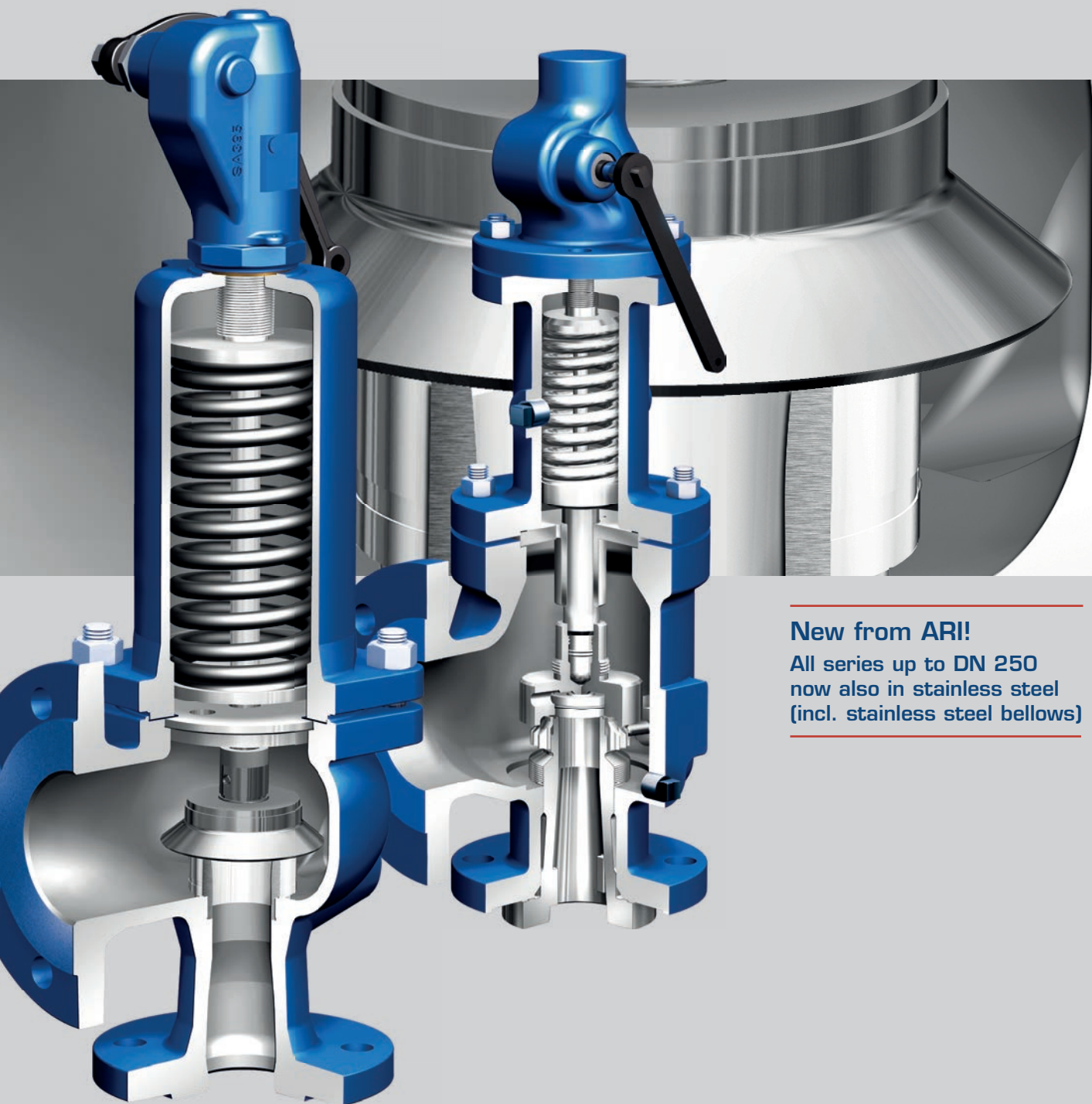


SAFE/REYCO®

MORE THAN 35,000 VARIATIONS IN DIN EN AND ASME



New from ARI!

All series up to DN 250
now also in stainless steel
(incl. stainless steel bellows)



Your valve made by ARI®
ari-armaturen.com

SAFE

Your complete safety system!
NEW! SAFE / SAFE SN now with SHR*

CE Certified acc. to
EN ISO 4126-1
(PED 2014/68 EU)

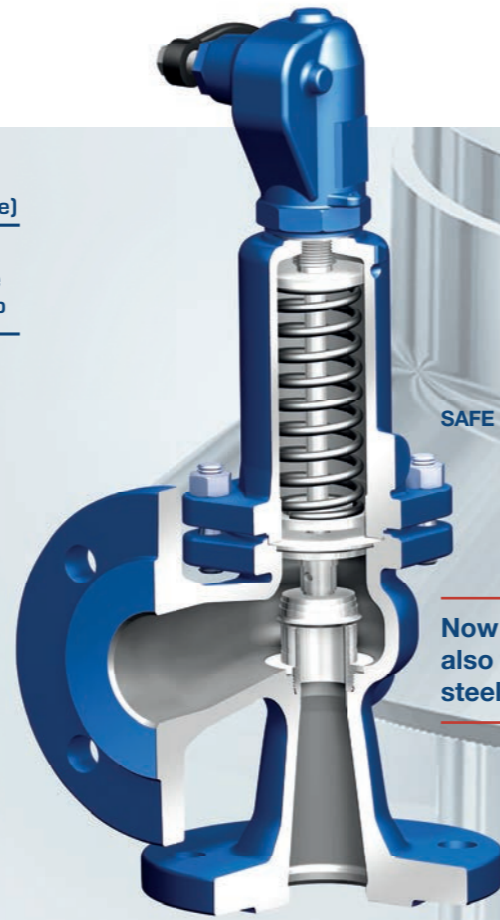


ARI SAFE SN (Semi Nozzle)

UV Certified acc. to ASME Code with UV Stamp

SAFE

Now up to DN 250 also in stainless steel



SAFE P

Now up to DN 150 also with stainless steel bellows



SAFE TC



SAFE TCP/TCS

Greater efficiency:

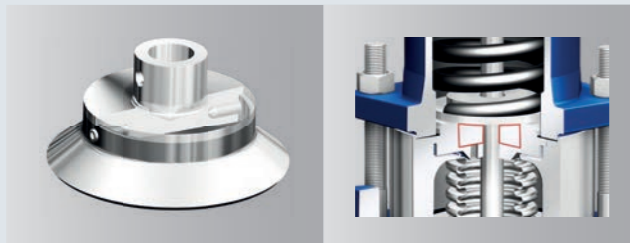
- Advanced design features (raised seat in CrNi steel, better flow characteristics due to contouring of flow area as well as accurately guided plug and stem).
- Extended size range: now DN 15 – 250.
- Simplified servicing with removable lifting aid.
- Suitable for chemical applications: can be upgraded with rupture disc, stainless steel bellows seal and proximity switch.

Greater reliability:

- Type test approved acc. to VdTÜV.
- ASME certification from the U.S. National Board.
- Balanced piston and protective rim as standard with stainless steel bellows.
- Minimum emissions (stainless steel bellows seal available as an option for SAFE/SAFE P/SAFE TC).

Higher profitability:

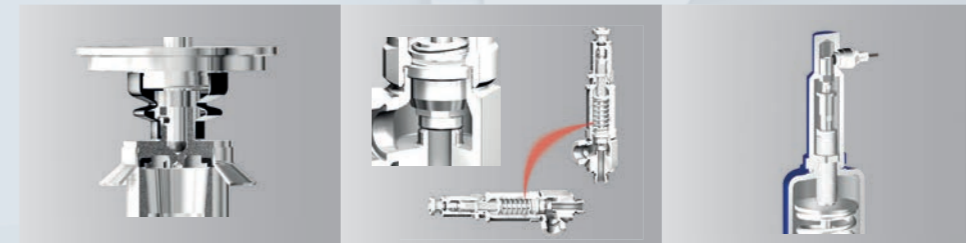
- Cost savings (extended life through hardened plug).
- Simplified servicing through removable lifting aid at the plug.
- Long lifetime (springs cathodic dip-painted).
- Straightforward product range: economical spring selection (large, uniform set pressure ranges).
- More efficient: ARI-myValve® sizing software ensures correct / economical valve selection.
- New SAFE-Check service for testing installed safety valves (test device that works without increasing the boiler pressure or interrupting operation of the plant; absolutely no media loss).



Simplified servicing: removable lifting aid makes relapping the plug much easier.

Two-fold safety: stainless steel bellows DN 15 - DN 100 with separate balanced piston as standard (EN-standard).

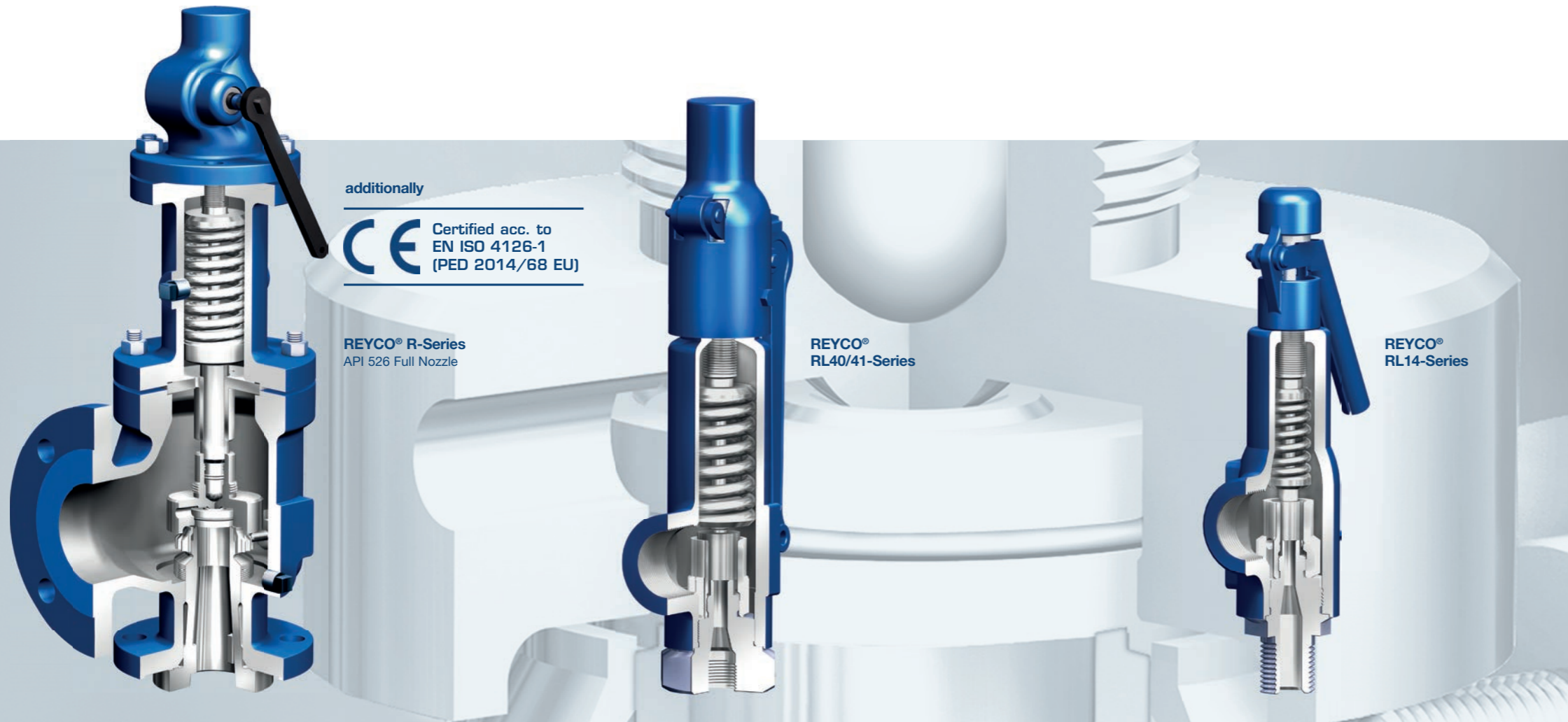
Now up to DN 250 also with stainless steel bellows



Optional EPDM bellows seal protects the stem from corrosion; soft sealing plug ensures reliable tight sealing; standard on SAFE heating valves SAFE Fig. 903.

SAFE TCS thread connection with special plug guide: also suitable for horizontal installation.

Integrated sensorics, proximity switch; used to return the feedback signal to the control room.



additionally

CE Certified acc. to EN ISO 4126-1 (PED 2014/68 EU)

REYCO® R-Series
API 526 Full Nozzle

REYCO® RL40/41-Series

REYCO® RL14-Series

Accurate response, flip-over plug, optimal plug guiding – up to 6000 psi (414 bar)!

- Powerful: suitable for oil and gas processing (REYCO®).
- Flexible: optionally available in Monel, Duplex, Super Duplex or Hastelloy.
- Simple handling: easy to service due to the flip-over plug (double sided sealing system).
- Durable: increased service life due to the corrosion-resistant bellows seals made of Inconel 625; the bellows also provides backpressure compensation as standard.
- Reliable and resistant: precise repeatability of the set pressure and increased service life due to the accurately guided nozzle (nozzle thread close to the seat).
- Reliable: high level of reliability due to the optimal guiding of the plug on the seat (two-piece stem).
- Flexible: multifunctional conversion in a few simple steps thanks to the modular system (standardised trim).
- Identical trim irrespective of the medium (steam, gases, liquids).
- Flexible / simple handling: broad array of applications due to the standardised O-ring soft sealing plug.
- Simple handling: identical nozzle ring for each orifice size (code letters).
- REYCO®: certified safety due to EC type examination (module B), quality assurance system (module D) and declaration of conformity acc. to PED 2014/68/EU.



Nozzle guided close to the seat – for a more accurate response. Flip-over plug – double sided sealing system assures simple handling, easy servicing and a longer service life.



Bellows available as a retrofit option. Bellows seals made of standard Inconel 625.



More options with different flanges up to ANSI 2500. Also as butt-weld end and socket weld end available.

Technical information at a glance

Type EN and ASME:

Direct-acting, spring-loaded

Options:

Closed bonnet, open bonnet, with / without lifting device (gas-tight)

Features:

EPDM bellows seal, stainless steel bellows seal, soft sealing plug, rupture disc, change over valve, proximity switch, jacketed valve

Applications:

For relieving vapour, gas or liquid pressure from pressure vessels and steam boilers as well as for steam

EN standard:

Nominal diameter: DN 15 – 50
Nominal pressure: PN 16 – 100
Set pressure: 0,2 – 100 bar

Now up to DN 250 in stainless steel also with stainless steel bellows

EN materials / temperatures

EN-JL1040 -10 °C to +300 °C
EN-JS1049 -10 °C to +350 °C
1.0619+N -60 °C to +450 °C
1.4408 -60 °C to +400 °C
1.4581 -60 °C to +400 °C

Requirements:

DIN EN ISO 4126, VdTÜV leaflet 100, TRD 421 / 721, AD2000-A2

ASME standard

NPS 1/2"-8"
Class ANSI 150-2500
Set pressure: 15-6000 psi (414 bar)

ASME materials / temperatures:

SA216WCC -20 °F to +800 °F (-29 °C to +427 °C)
SA217WC6 -20 °F to +1000 °F (-29 °C to +538 °C)
SA352LCC -51 °F to +653 °F (-46 °C to +345 °C)
SA351CF8M -321 °F to +1000 °F (-196 °C to +538 °C)

Special materials

Monel, Duplex, Super Duplex and Hastelloy on request

Requirements:

ASME Code Section XIII (formerly Section VIII Div. 1), API 526



SHR

Zero leakage – in combination with the innovative premium soft seal
Now up to **+220°C** for steam and hot water



ARI SAFE 900



Steam / Hot Water Resistance (SHR):

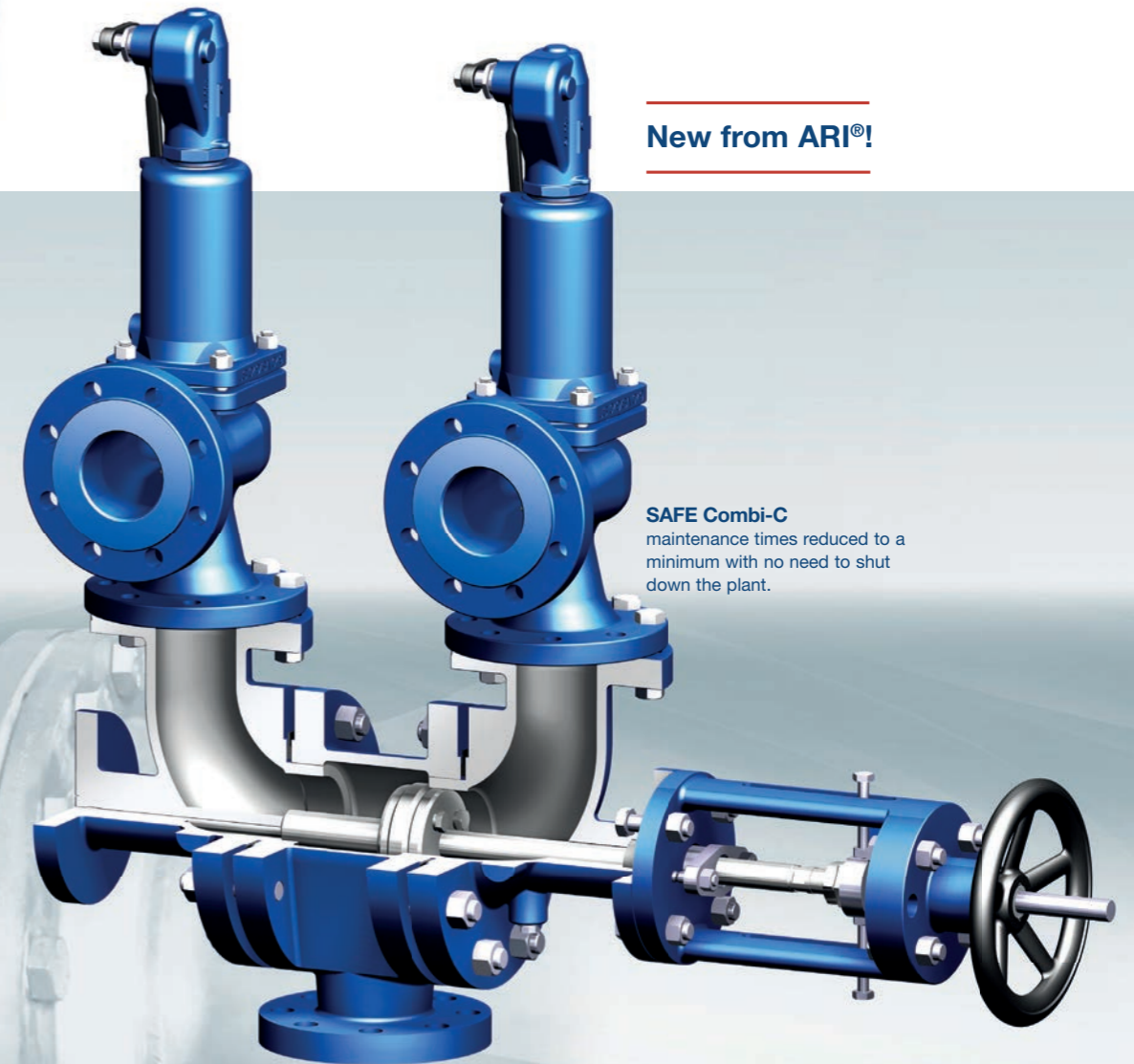
- Suitable for SAFE 900 and SAFE SN (Semi Nozzle).
- Even better economy through extended lifetime (optimal leak-proof technology).
- Type test approved acc. to VdTÜV 100 (TÜV Nord).
- Ideal for steam and hot water generators acc. to DIN EN 12953 (TRD 421), e.g. shell boilers and district heating.



SHR premium soft seal (now up to +220 °C).

SAFE Combi

With changeover valves and / or rupture discs



New from ARI®!

SAFE Combi-C maintenance times reduced to a minimum with no need to shut down the plant.

SAFE Combi-C / REYCO® Combi-C: The 100% standby safety – even with critical media

- Two-fold safety: the Combi-C SAFE / change-over valve always keeps a second SAFE in standby. In other words, you can test or replace a valve at any time with no pressure or media loss and without interrupting operation!
- Extra-safe thanks to the Combi-R SAFE / rupture disc combination: 100% tight (no media loss if the rupture disc bursts), stable operation (no uncontrolled plant shut-downs).



New from ARI®!

SAFE Combi-R – zero leakage allows the use of certain types of media which tend to harden or become sticky when in contact with the atmosphere. Protects the safety valve against corrosion.

ARI® PRODUCT DIVERSITY

Control



Control valves
STEVI® Pro
(BR 422/462, 470/471)



STEVI® Vario
(BR 448/449)



STEVI® Smart (BR 423/463,
425/426, 440/441, 450/451)



Control without auxiliary power
PREDU®/PREDEX®/
PRESO®/TEMPROL®

Isolation



Process Valves
ZETRIX®
High Performance-Valves
ZEDOX®



Butterfly valves
ZESA®/GESA®/ZIVA®



Bellows sealed valves
FABA® Plus, FABA® Supra I/C



Stop valves with gland seal
STOBU®

Safety



Safety valves (DIN)
SAFE



Safety valves
SAFE TCP



Safety valves (API 526)
REYCO®



Safety valves (ANSI)
REYCO® RL-Series

Steam trapping



Steam traps CONA®
(mechanical ball float /
thermostatic bimetallic and
membrane / thermodynamic),
monitoring systems
CONA® Control



Manifolds
CODI® for collecting
and diverting purpose



**Steam traps with multi-
valving technology CONA®**
"All-in-One" (incl. stop valve,
inside strainer, back-flow
protection, drain valve)

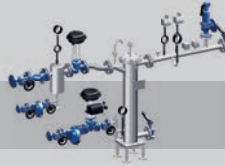


Mechanical pump systems
CONLIFT®, CONA® P

Application technology



Pressure reducing station
PREsys®



Heat exchanger
ENCOsys®



Condensate return system
CORsys®



**Feedwater tank
with deaerator dome**

Profit from diversity made by ARI®.
Please don't hesitate to ask for more information!



Your valve made by ARI®
ari-armaturen.com