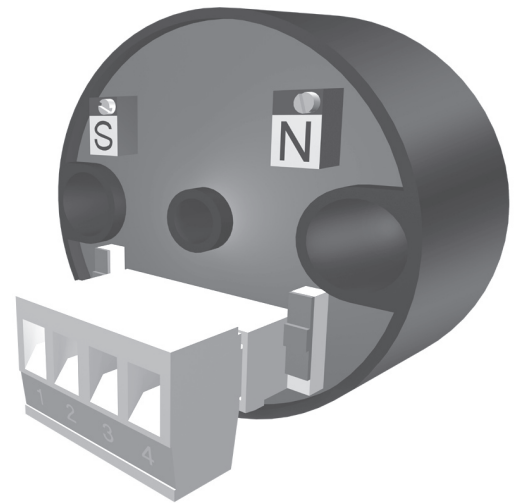
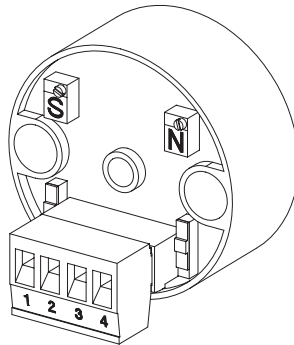


Electronic position indicator RI32

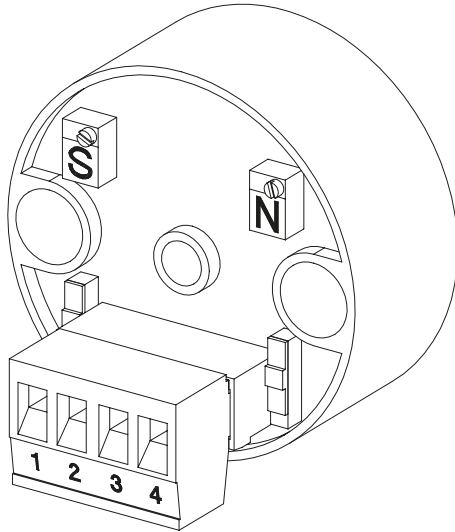
Electronic position indicator RI32

- The RI32 electronic indicator transforms a resistance change into a 4...20 mA or 2...10 V standardised control signal
- The RI32 position indicator can be operated by 24 V DC voltage or 24 V AC voltage
- It is possible to link into a current loop without an additional power supply



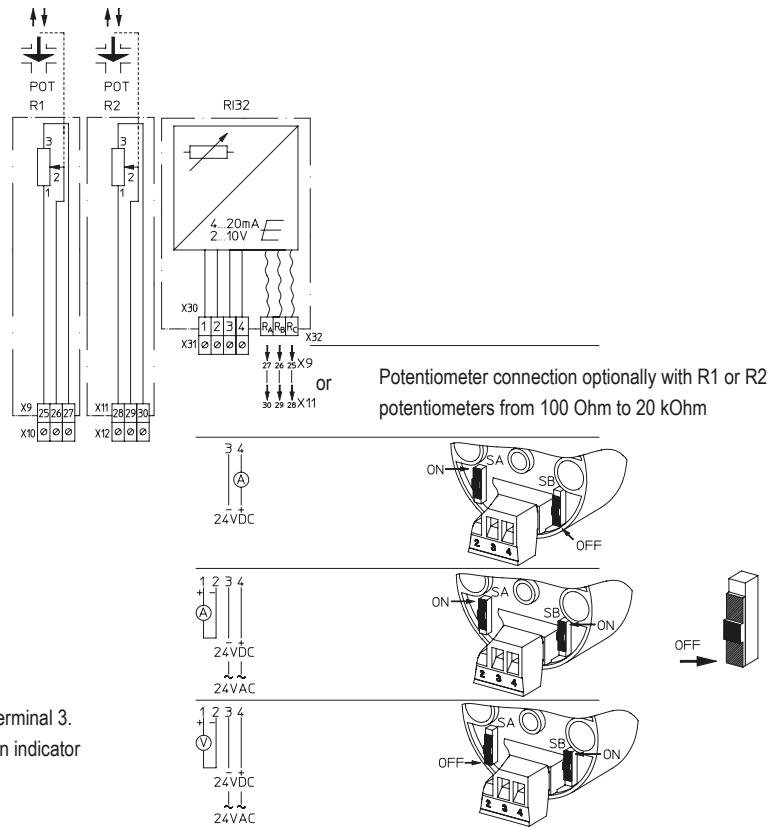
Features

- DC and AC voltage operation
- Current loop 4...20 mA with two-wire connection
- Control signal output 4 ... 20 mA
- Control signal output 2...10 V
- Suitable for conductive plastic potentiometers and standard potentiometers
- Small dimensions permit the installation also into other applications
- Can be retrofitted to the ARI-PREMIO
- Far input area from 100 Ohm up to 20 kOhm
- Through full capping also under difficult conditions applicable
- Zero point and slope attitude simply by spindle trimmers adjustable
- With miniature slide switches free configurable



Attention:

Do not connect terminal 2 and terminal 3.
With a potential shift, the position indicator RI32 might be destroyed.



Type		RI32 electronic position indicator
Supply voltage	V	24 V DC/AC 50 ... 60 Hz
Potentiometer input	W	100 Ohm ... 20 kOhm three-conductor connection, suitable for conductive plastic potentiometer
Control signal output, Voltage	V	2 ... 10V DC (control signal output with supply voltage internal electrical connection)
Control signal output, Current	mA	4 ... 20 mA DC (load resistance max. 500 Ohm) (control signal output with supply voltage internal electrical connection)
Measuring current at potentiometer arm	µA	max. 800µA
Linearity error	%	+/- 0,2% measurement range
Temperature coefficient	% / K	0,04 % / K
Auxiliary energy inflow	% / V	0,02% / V
Enclosure DIN VDE 0470		(Terminals) IP 20
Max. permissible ambient temperature	°C	-40°C ... +85°C
Humidity	%	95% r.F., no dewing
Weight	g	approx. 35 g
Dimensions (ø x T)	mm	44 x 38

Connection / installation		RI32 electronic position indicator
Electrical connection		By screw terminals max. 2,5 mm ²
Built into thrust actuator		in ARI-PREMIO all versions



Technology for the Future.
GERMAN QUALITY VALVES

ARI-Armaturen Albert Richter GmbH & Co. KG, D-33750 Schloß Holte-Stukenbrock,

Tel. +49 52 07 / 994-0, Telefax +49 52 07 / 994-158 or 159 Internet: <http://www.ari-armaturen.com> E-mail: info.vertrieb@ari-armaturen.com