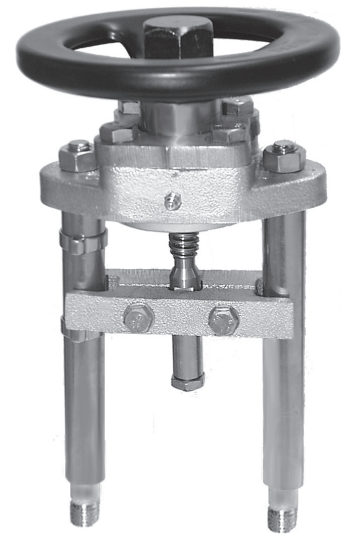
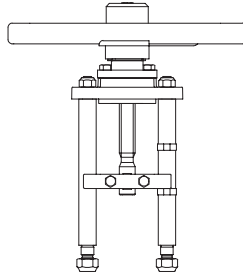


Manual handwheel actuator for control valves

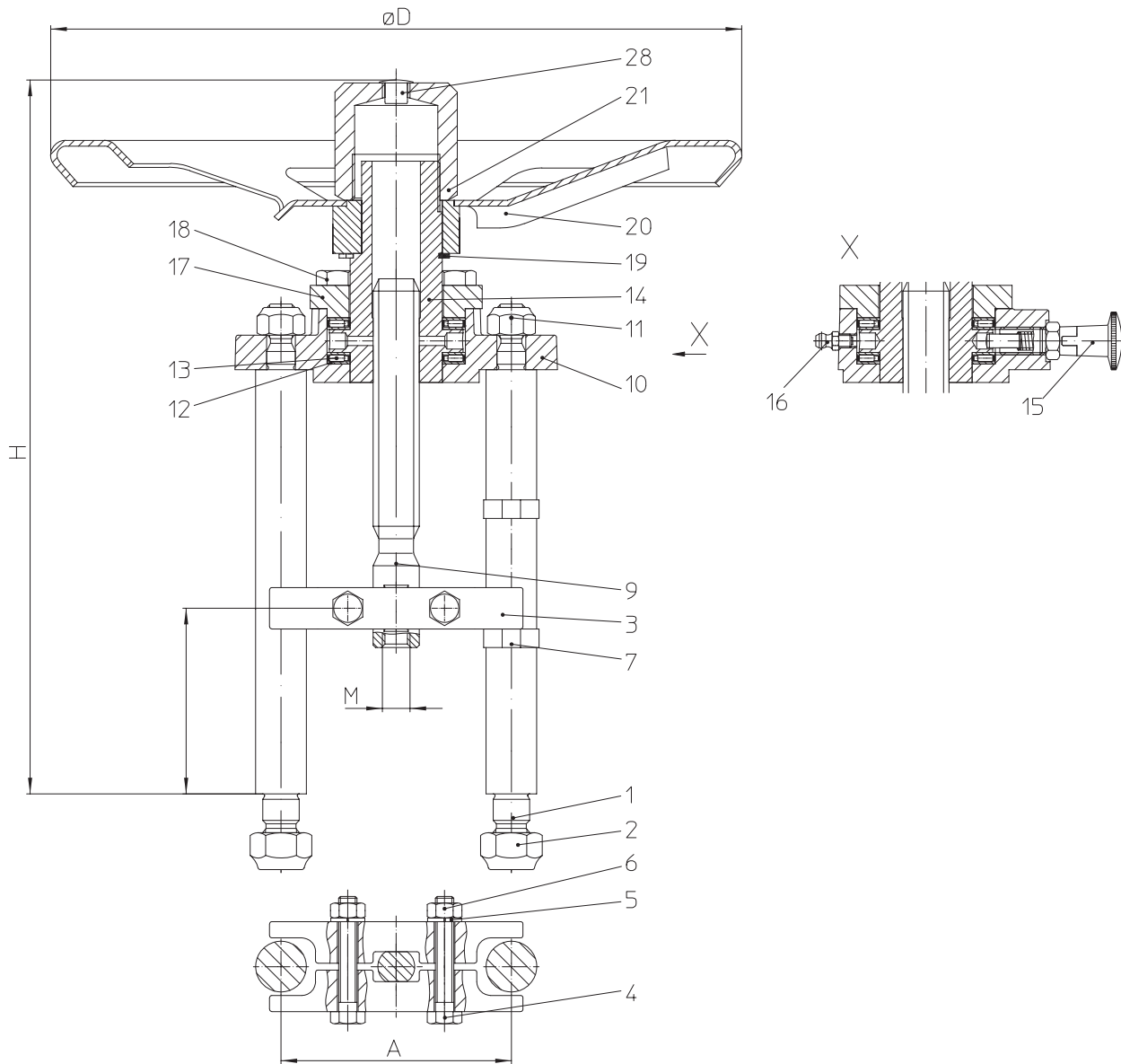
Fig. 93.00....

- with handwheel
- ø 150
- ø 225
- ø 300



Page 2

Manual handwheel for control valves



The handwheel is locked by the locking device (15). This prevents the handwheel from turning. To engage the handwheel, the locking device must first be pulled out. Lubricate with grease using lubricating nipple (16).

| Pos. | Description | Material |
|------|--------------------|------------------------------------|
| 1 | Distance column | X20Cr13+QT, 1.4021+QT |
| 2 | Hexagon nut | 8-A3B |
| 3 | Clamp ledge | EN-JS1049, EN-GJS-400-18U-LT |
| 4 | Hexagon screw | 8.8-A4G |
| 5 | Washer | FSt-A4G |
| 6 | Hexagon nut | 8-A4G |
| 7 | Travel indicator | St |
| 9 | Driving spindle | X20Cr13+QT, 1.4021+QT |
| 10 | Traverse HNV | EN-JS1049, EN-GJS-400-18U-LT |
| 11 | Hexagon nut | 8-A4G |
| 12 | Axial-washer | St |
| 13 | Axial-dial ring | St |
| 14 | Threaded bushing | CuZn35Ni3Mn2AlPb-R490, CW710R-R490 |
| 15 | Catch pin | St/Cu |
| 16 | Lubricating nipple | 5.8-A4G |
| 17 | Cover HNV | X20Cr13+QT, 1.4021+QT |
| 18 | Hexagon screw | 8.8-A4G |
| 19 | Retaining ring | FST |
| 20 | Handwheel | EN-JL1040, EN-GJL-250 |
| 21 | Safety cap | 11SMn30+C, 1.0715+C |
| 28 | Sealing plug | PE-SOFT |

Manual handwheel actuator to valve allocation

| Figure | 9300002001 | 9300000001 | | 9300100001 | | 9300200001 | 9300210011 | | 9300211011 | | 9300211041 | | 9300201051 | | | |
|---|----------------|-----------------------|--------------------------|----------------|-------------------|----------------|----------------|-----------------------|------------|----------------|------------|----------------|--------------------------------------|-------------------|---------|------------|
| M (Connection thread) | M 10 | M 12 | | M 12 | | M 12 | M 14 x 1,5 | | M 16 x 1,5 | | M 16 x 1,5 | | M 16 | | | |
| Stem excess length (mm) | 83 | 83 | | 83 | | 83 | 83 | | 83 | | 83 | | 83 | | | |
| Valve type | 470 | 405 440/445 450 | 460 471 ¹⁾ | 441/446 451 | 460 470 471 | 441/446 451 | 460 | 405 440/445 450 | 471 | 470 | 450 (VT) | | 405 440/445 470/471 450 (M) | 441 446 451 | 460 | 462 463 |
| DN (Nominal diameter) ²⁾ | 15-32 | 15-50 | 15-32 | 15-50 | 40-65 | 65-100 | 80-125 | 65-100 | 80-100 | 80-100 | 125-150 | 125-150 | 125-150 | 125-150 | 150-250 | 200-250 |
| Nom.travel max. (mm) | 20 | | 20 | | 30 | | 50 | 30 | | 30 | | 65 | 65 | | | |
| Rotations / Nom. Travel | 5 | | 5 | | 7,5 | | 12,5 | 7,5 | | 7,5 | | 12,5 | 16,25 | | | |
| Spindle thread | TR 16 x 4 - LH | | TR 16 x 4 - LH | | TR 20 x 4 - LH | | TR 20 x 4 - LH | TR 20 x 4 - LH | | TR 20 x 4 - LH | | TR 20 x 4 - LH | TR 20 x 4 - LH | | | |
| max. permissible thrust (kN) | 12 | | 18 | | 18 | | 18 | 25 | 40 | 40 | | 40 | 35 | | | |

Dimensions and weights

| Figure | | 9300002001 | 9300000001 | 9300100001 | 9300200001 | 9300210011 | 9300211011 | 9300211041 | 9300201051 |
|---------------|------|------------|------------|------------|------------|------------|------------|------------|------------|
| D | (mm) | 150 | 150 | 225 | 300 | 300 | 300 | 300 | 300 |
| H | (mm) | 247 | 247 | 310 | 310 | 310 | 310 | 336 | 336 |
| A | (mm) | 100 | 100 | 100 | 100 | 100 | 100 | 100 | 100 |
| Weight | (kg) | 4 | 4 | 5 | 5 | 6 | 6 | 6,5 | 6,5 |

¹⁾ max. permissible thrust: 12 kN

²⁾ for larger nominal diameters: manual handwheel actuators with handwheel- \varnothing 400 on request



Technology for the Future.
GERMAN QUALITY VALVES